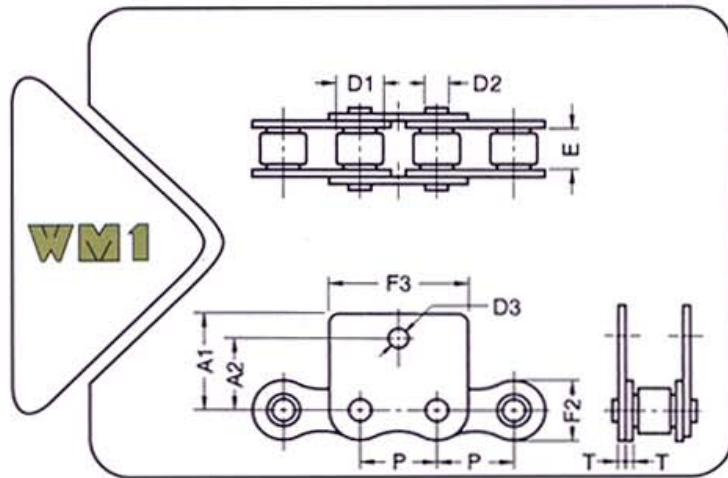
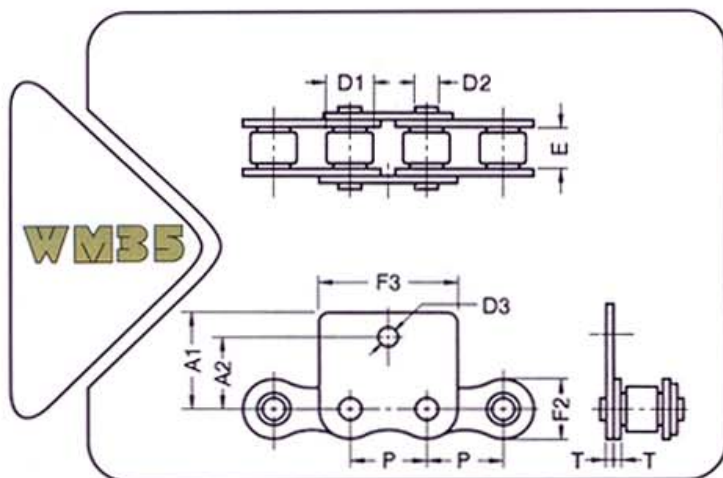


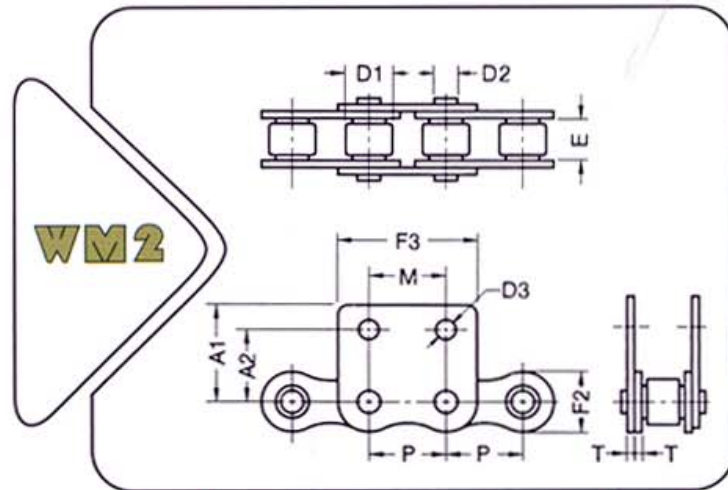
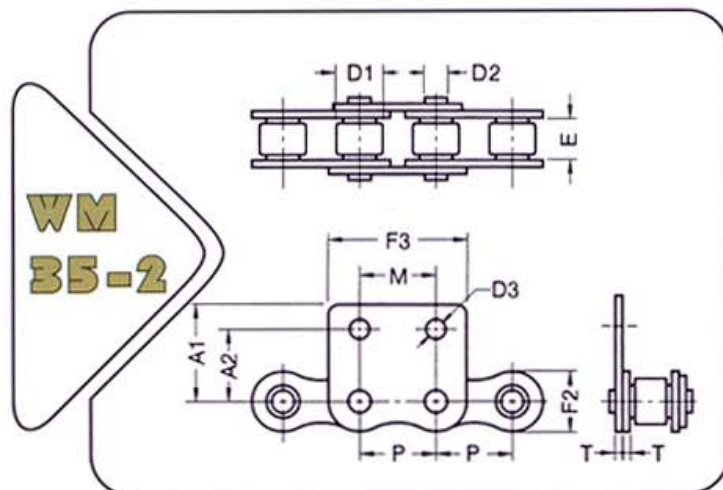


# ANSI STD ROLLER CHAIN ATTACHMENT



ANSI Chain No.	Pitch x Width		Roller D1 mm	Pin D2 mm	Links		Attachment				Avg. Ulti. Tensile Strength kgf
	P	E			T	F2	A1	A2	F3	D3	
	inch	mm			mm	mm	mm	mm	mm	mm	
35	3/8 x 3/16	9.525 x 4.78	5.08	3.59	1.28	9.04	14.68	9.52	18.33	2.78	1050
40	1/2 x 5/16	12.70 x 7.92	7.92	3.98	1.49	12.06	17.30	12.70	23.10	3.57	1830
50	5/8 x 3/8	15.875 x 9.52	10.16	5.09	2.01	15.08	24.61	15.88	28.72	5.16	3000
60	3/4 x 1/2	19.05 x 12.70	11.91	5.96	2.38	18.09	26.11	18.26	36.25	5.16	4085
80	1 x 5/8	25.4 x 15.88	15.87	7.94	3.18	24.13	34.25	24.61	48.64	6.75	7955

NOTE : For Chain No.35, D1= Bushing Diameter.



ANSI Chain No.	Pitch x Width		Roller D1 mm	Pin D2 mm	Links		Attachment					Avg. Ulti. Tensile Strength kgf
	P	E			T	F2	A1	A2	F3	D3	M	
	inch	mm			mm	mm	mm	mm	mm	mm	mm	
35	3/8 x 3/16	9.525 x 4.78	5.08	3.59	1.28	9.04	14.68	9.52	18.33	2.78	9.52	1050
40	1/2 x 5/16	12.70 x 7.92	7.92	3.98	1.49	12.06	17.30	12.70	23.10	3.57	12.70	1830
50	5/8 x 3/8	15.875 x 9.52	10.16	5.09	2.01	15.08	24.61	15.88	28.72	5.16	15.88	3000
60	3/4 x 1/2	19.05 x 12.70	11.91	5.96	2.38	18.09	26.11	18.26	36.25	5.16	19.05	4085
80	1 x 5/8	25.4 x 15.88	15.87	7.94	3.18	24.13	34.25	24.61	48.64	6.75	25.40	7955

NOTE : For Chain No.35, D1= Bushing Diameter.